

1126606
MINIBETA 2P 230V 50HZ

3210928_1126606_R09W - R09W (16/5/2025)



Access Platform Division

Via San Francesco d'Assisi, 8 - 46020 Pegognaga (Mantova) - ITALY Tel. +39 0376
554011 - Fax +39 0376 559855

www.imergroup.com

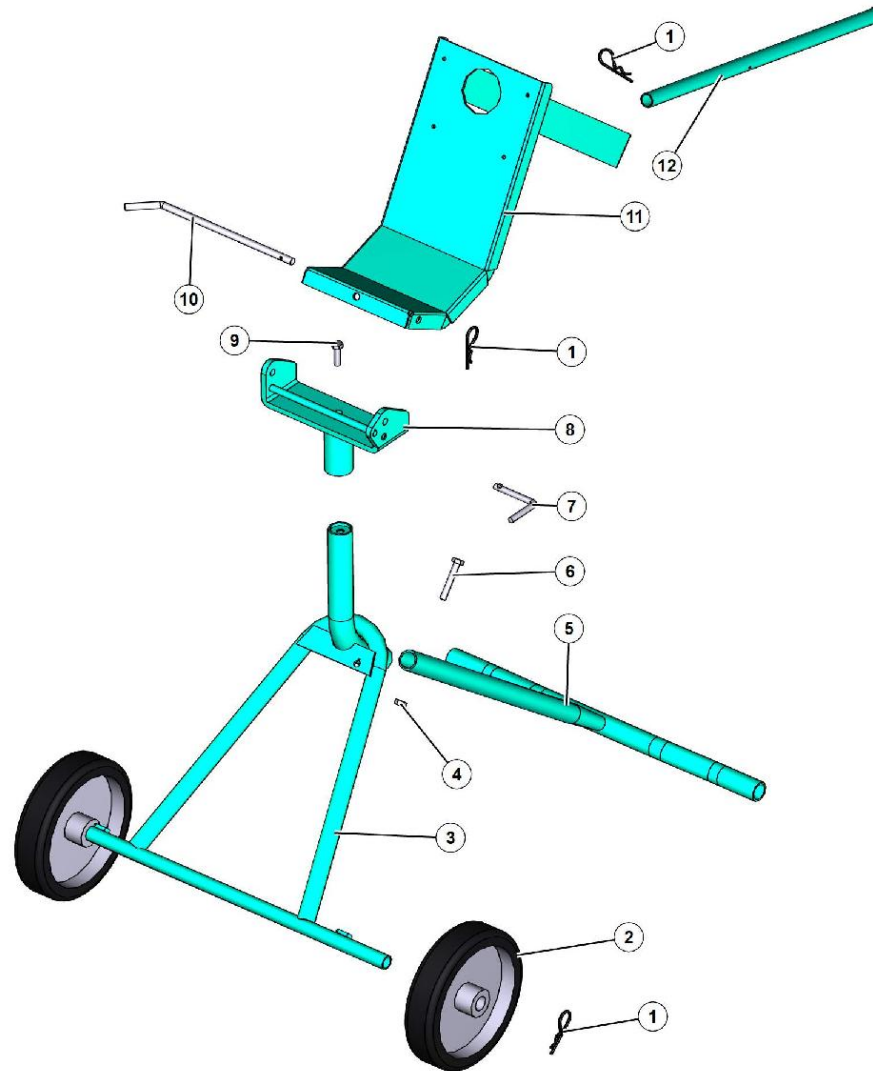
Building Equipment Division

Via della Meccanica, 39 (Zona Industriale Sentino) - 53040 Rapolano Terme
(Siena) - ITALY - Tel. +39 0577 97341 - Fax +39 0577 704077

www.imergroup.com

www.imerglobalcustomercare.com

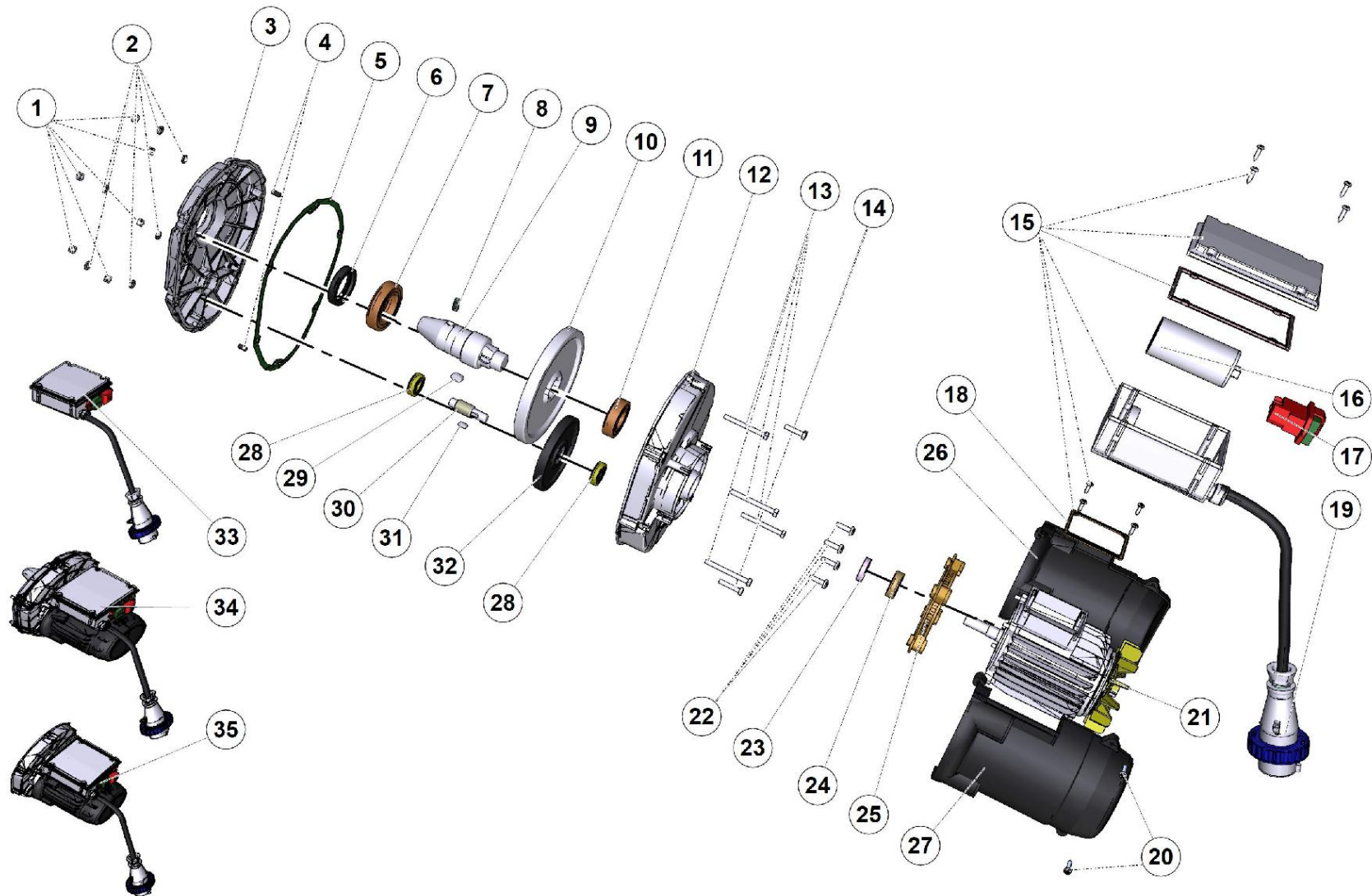
FRAME





N.	CODE	DESCRIPTION	UM	QTY
1	2226700	SPLIT PIN	PZ	4.0
2	3206390	WHEEL/CONC.MIXER	PZ	2.0
3	3206364	UPRIGHT	PZ	1.0
4	2223650	NUT	PZ	1.0
5	2255749	DRAW BAR/CONC.MIXER	PZ	1.0
6	2222148	SCREW	PZ	1.0
7	2248889	SPIGOT	PZ	1.0
8	3210893	BRACKET/SAW	PZ	1.0
9	2222073	SCREW/MN	PZ	1.0
10	3210936	PIVOT AXLE/CONC.MIXER	PZ	1.0
11	3210935	GEARBOX FRAME/CONC.MIXER	PZ	1.0
12	3230055	COMPLETE HANDLE MB 96	PZ	1.0

MOTOR_ELECTRIC_PANEL





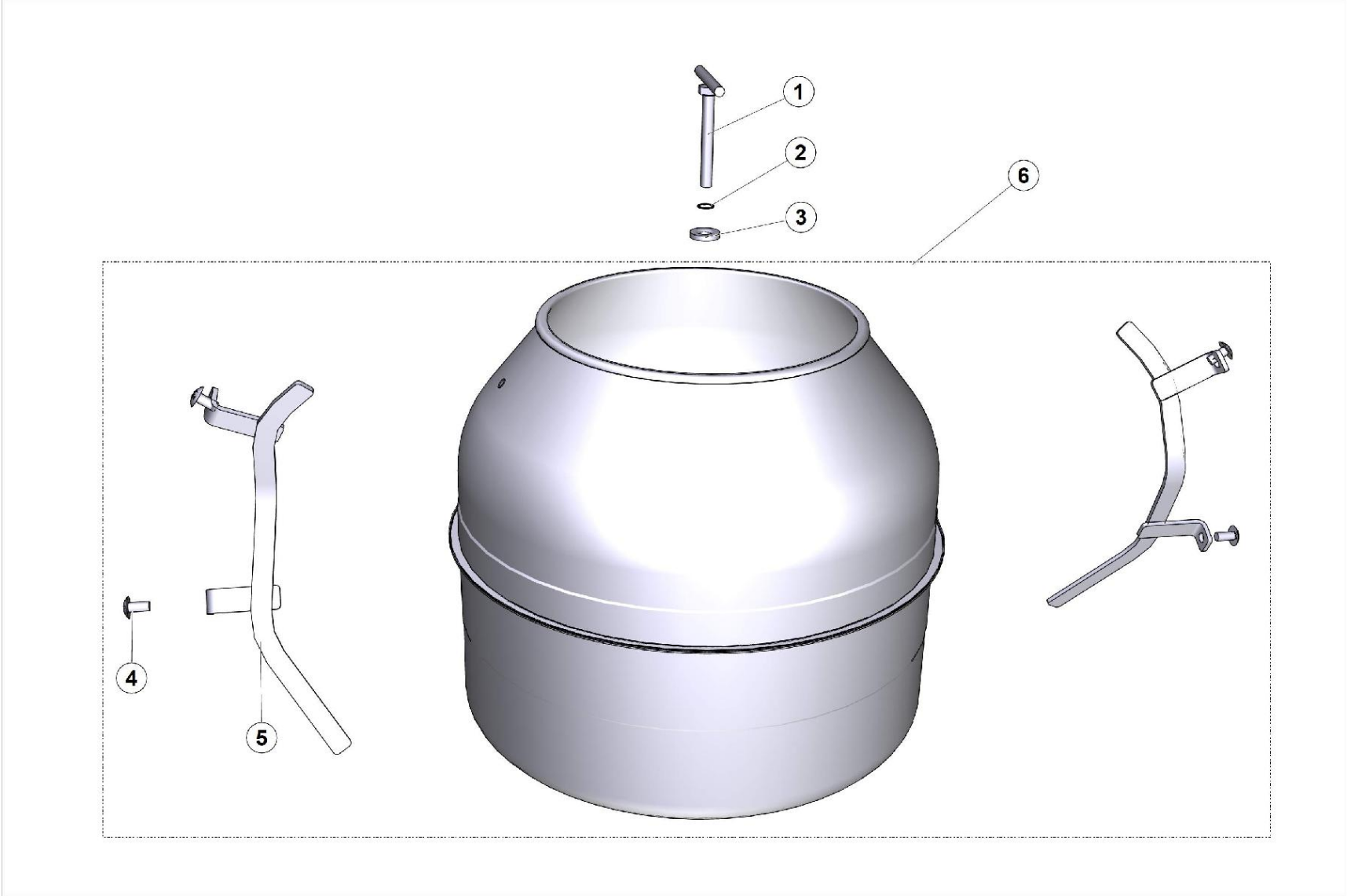
N.	CODE	DESCRIPTION	UM	QTY
1	2223280	NUT	PZ	6.0
2	2224530	ROLLER/MN	PZ	6.0
3	3210485	REDUCTION GEAR CASING	PZ	1.0
4	2228819	Gudgeon pin	PZ	2.0
5	3210482	GASKET	PZ	1.0
6	2207405	STOP RING	PZ	1.0
7	2204504	Bearing	PZ	1.0
8	2228360	PIN	PZ	1.0
9	3210481	SHAFT/CONC.MIXER	PZ	1.0
10	3210479	GEAR/MN	PZ	1.0
11	2204550	Bearing	PZ	1.0
12	3210486	REDUCTION GEAR CASING	PZ	1.0
13	2222012	SCREW	PZ	4.0
14	2222010	SCREW	PZ	2.0
15	3210909	ELECTRIC PANEL	PZ	1.0
16	3233524	CAPACITOR MPR4/F MF14 450V 68X35 FAST	PZ	1.0
17	3209337	SWITCH	PZ	1.0
18	3209214	GASKET	PZ	1.0
19	3203504	PIN	PZ	1.0
20	3210903	SCREW	PZ	2.0
21	3210904	PLASTIC FAN/MN	PZ	1.0



N.	CODE	DESCRIPTION	UM	QTY
22	3209987	SCREW	PZ	4.0
23	2207350	STOP RING	PZ	1.0
24	3208982	Bearing	PZ	1.0
25	3210488	FLANGE	PZ	1.0
26	3210490	Protection	PZ	1.0
27	3210489	Protection	PZ	1.0
28	2204420	Bearing	PZ	2.0
29	2229500	KEY	PZ	1.0
30	3210483	PINION	PZ	1.0
31	2229249	KEY	PZ	1.0
32	3210487	GEAR WHEEL/CONC.MIXER	PZ	1.0
33	3210909	ELECTRIC PANEL	PZ	1.0
34	3210493	MOTOR-REDUCTION GEAR	PZ	1.0
35	3224410	MOTOR 220V -240V-50HZ 0.30KW MB.2P.	PZ	1.0



DRUM





N.	CODE	DESCRIPTION	UM	QTY
1	2222982	T-BOLT/CONC.MIXER	PZ	1.0
2	3206800	STOP RING	PZ	1.0
3	2224428	ROLLER	PZ	1.0
4	2222193	PADDLE SCREW/MN	PZ	4.0
5	2250155	MIXING PADDLE/CONC.MIXER	PZ	2.0
6	2250719	DRUM/CONC.MIXER	PZ	1.0



Access Platform Division

Via San Francesco d'Assisi, 8 - 46020 Pegognaga (Mantova) - ITALY Tel. +39 0376 554011 - Fax +39 0376 559855

www.imergroup.com

Building Equipment Division

Via della Meccanica, 39 (Zona Industriale Sentino) - 53040 Rapolano Terme (Siena) - ITALY - Tel. +39 0577 97341 - Fax +39 0577 704077

www.imergroup.com